

Assembly of the Variotech-ANTS System

The Variotech ANTS is an absolute measuring system for determining the position of the elevator car, consisting of the reading head, the steel band and the mounting set.

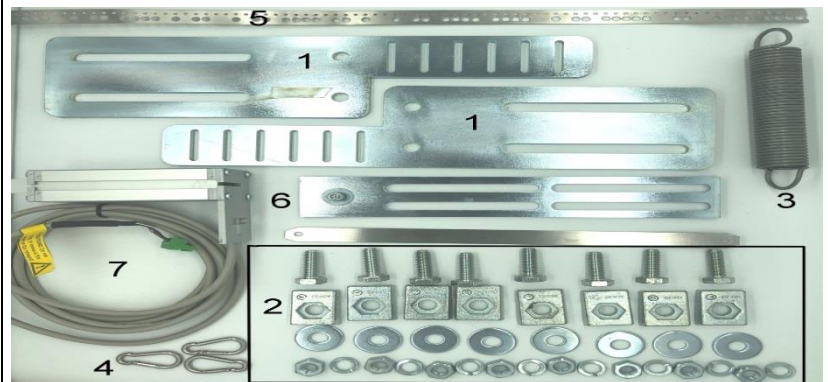
The steel strip is fixed in the upper and lower part of the shaft by means of shaft flag holders. Pay attention to the correct spring preload. The reader can be placed on the steel strip by means of a lateral opening. The position of the large & small holes in the steel strip must be observed when inserting!

Please also note the Variotech ANTS installation instructions!



Mounting kit complete:

- 1 Shaft holder straight and angled
- 2 Screws & Clamps
- 3 Tension spring mounting at the bottom
- 4 K-hook tape mounting on top
- 5 Steel tape
- 6 Holder for reader-unit with attachment
- 7 Reader-unit with cable & plug
- 8 Stainless Steel Band



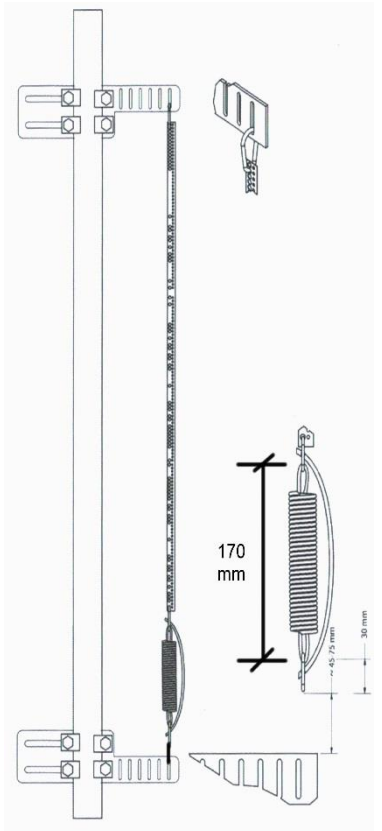
1. Mount the shaft flag holder in the shaft head in compliance with legal and company-related safety regulations. Depending on whether you are installing a central rail or backsack system, use the shaft flag holder straight or angled and fasten it with the fastening set 2.

2. Attach the upper end of the belt by inserting the carabiner hook 4 into the shaft flag holder 1. Before doing this, please check the orientation of the tape using the large & small holes!

3. Drive down with the inspection and rewind the tape directly. Please provide personal protective equipment recommended for use.

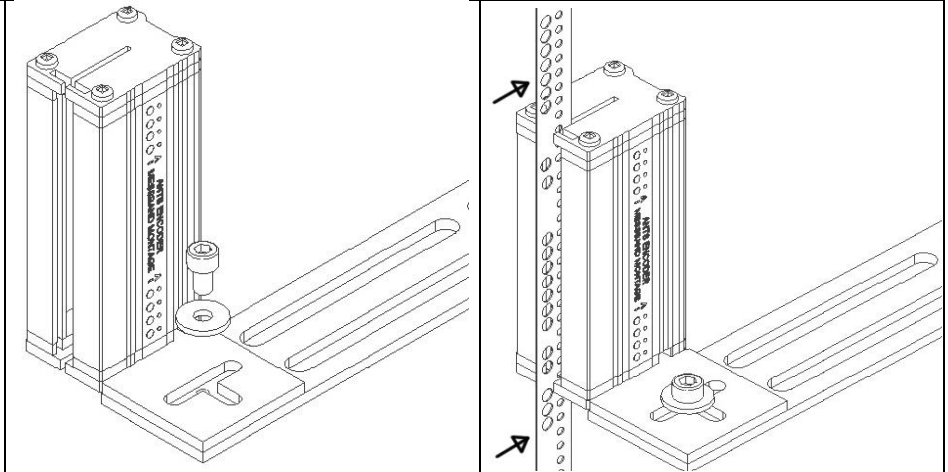
4. Further assembly takes place in the shaft pit. Before entering the pit, ensure that the car is secured against uncontrolled downward movement. For work longer than 15 minutes, the car must be supported in compliance with the safety regulations of the assembly company!

5. Equivalent to steps 1 and 2, the lower shaft flag holder 1 and the holder 2 for the magnetic tape are to be mounted. A tension spring 3 is to be installed and it must be saved with a stainless steel band! Decisive for the functionality is the spring preload. **It should be 170mm!**



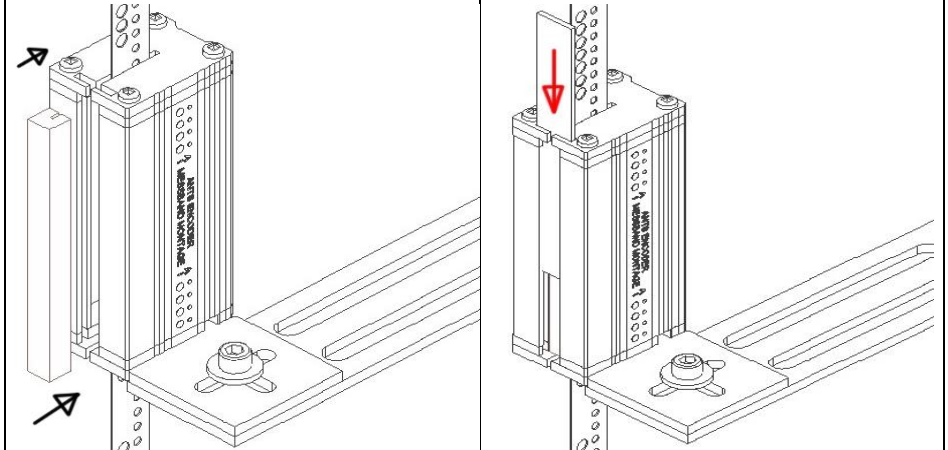
6. Mount the reader-unit 7 on the holder 6 provided for this purpose.

7. Insert the steel tape through the side opening on the reader. Use the markers on the reader to check the correct alignment of the holes.



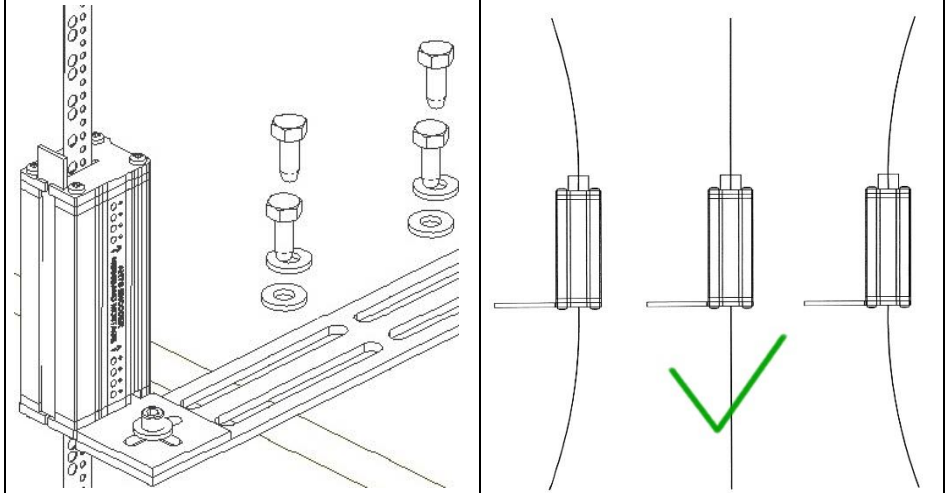
8. Push the sliding block with the notch provided for the steel strip through the opening.

9. Insert the aluminum strip from the top downwards as far as it will go into the slot provided for this purpose.



10. Mount the holder with the reading head using the 4 screws provided on the cab roof.

11. Check the correct mounting. The tape should be mounted vertically and straight. Deviations and angular misalignment must be corrected.



12. Switch the car computer off with the switch S37 FKR at the inspection box.

13. This allows the plug of the Variotech ANTS reading head to be plugged in without voltage. Subsequently, the switch S37 can be switched on again.

